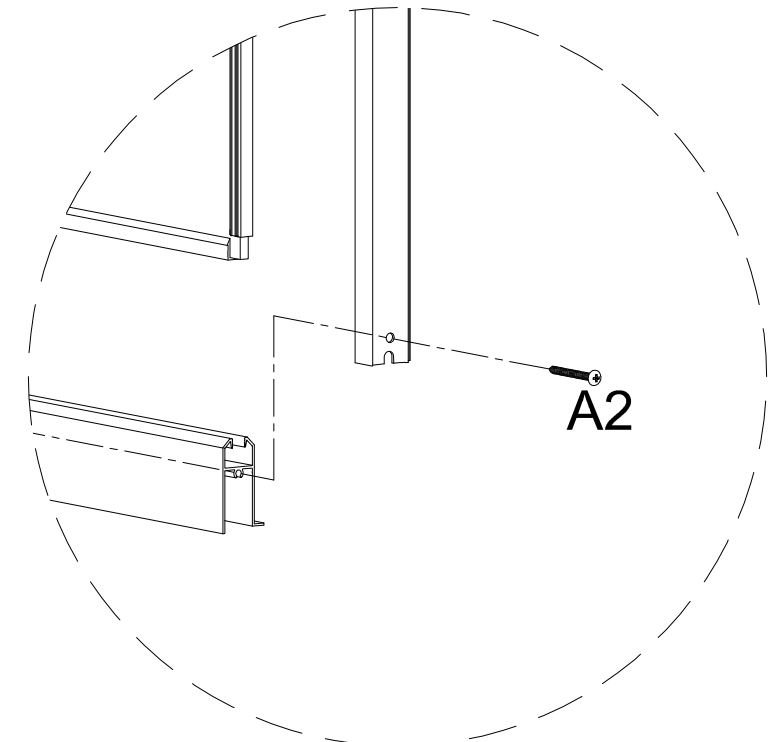
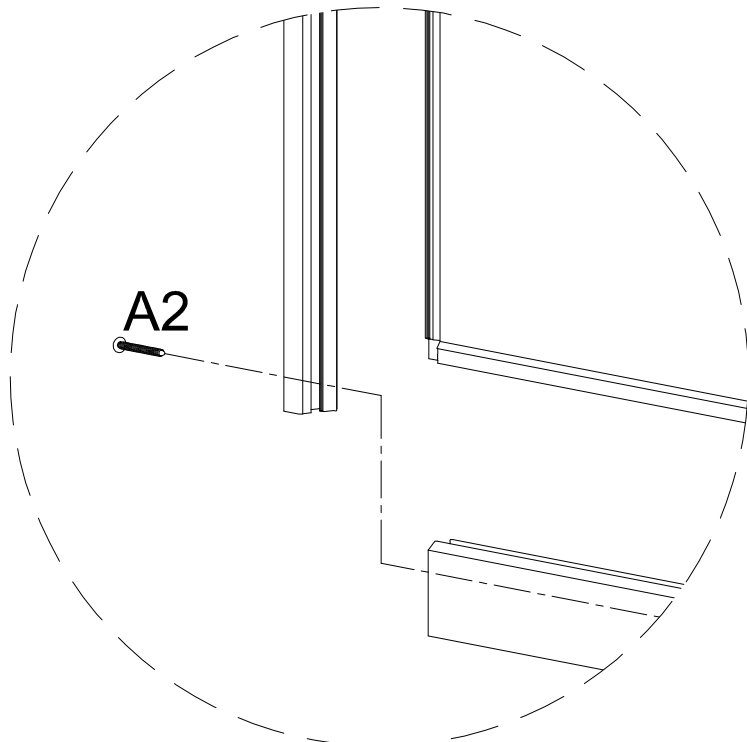
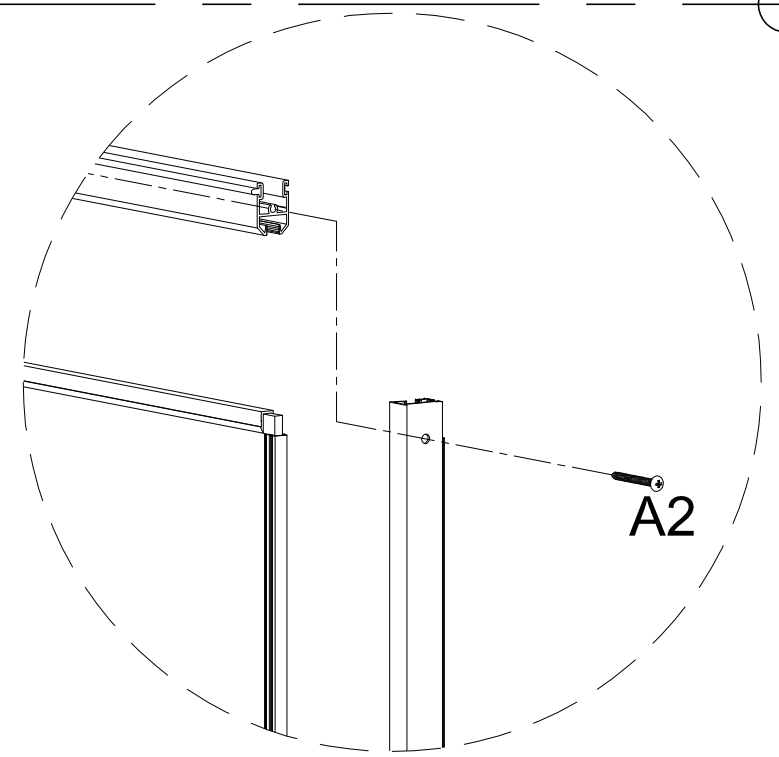
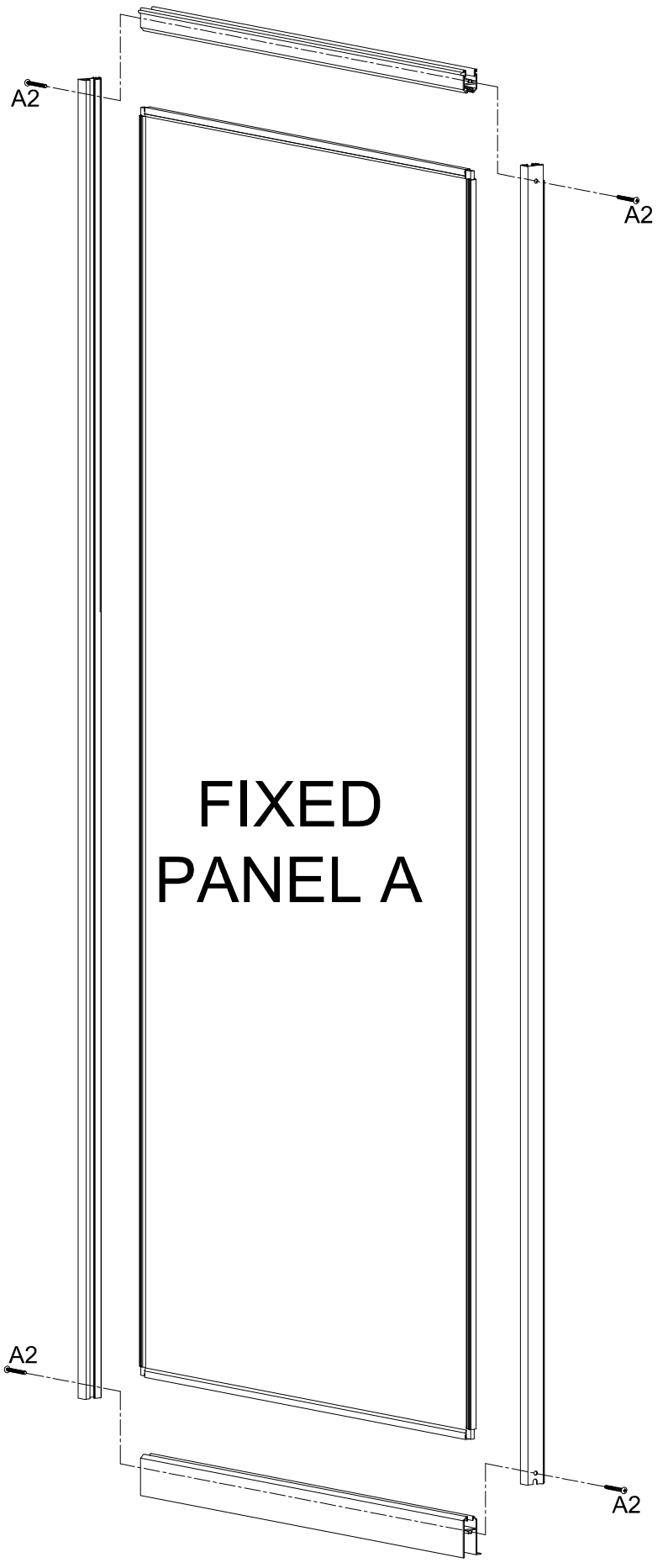
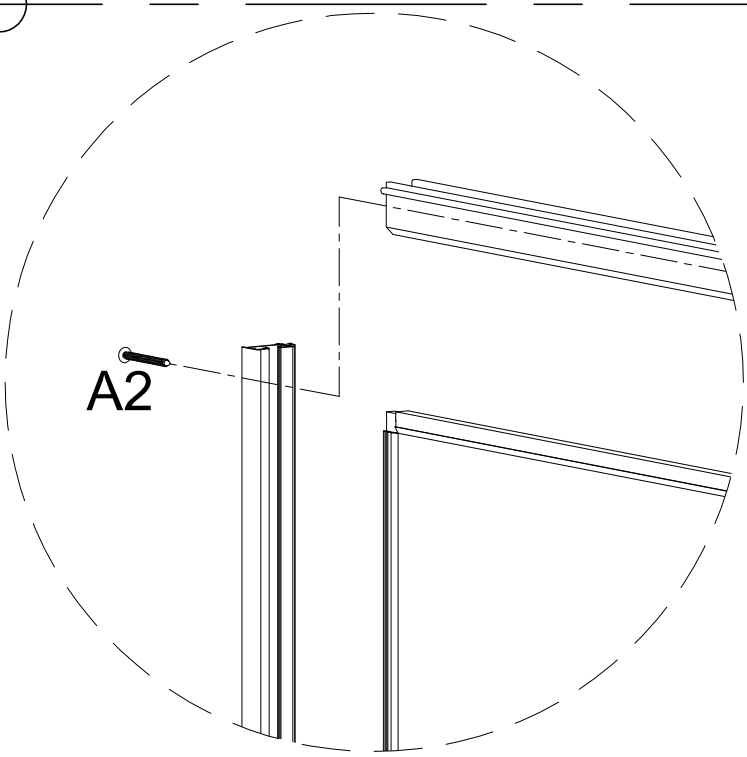


STEP1:
 SECURE FALSE JAMB PART A
 TO THE HEAD AND SILL AS
 SHOWN ALONGSIDE

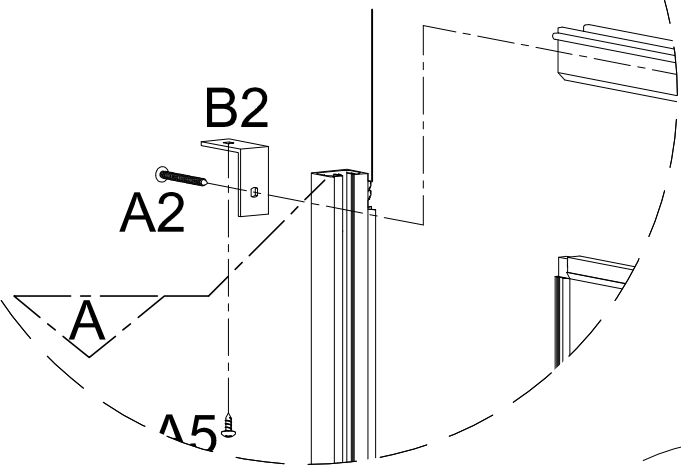
STEP2:
 SECURE THE SIDE JAMBS
 TO THE HEAD AND SILL

OUTSIDE
 INSIDE



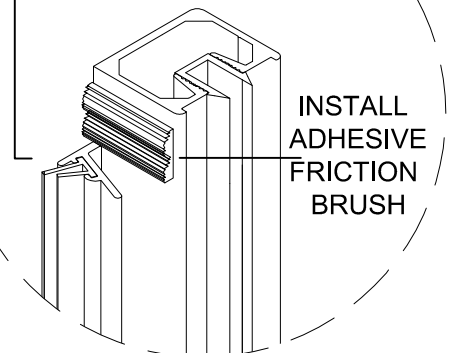
FIXED
PANEL A

INSTALL ADHESIVE FRICTION BRUSH



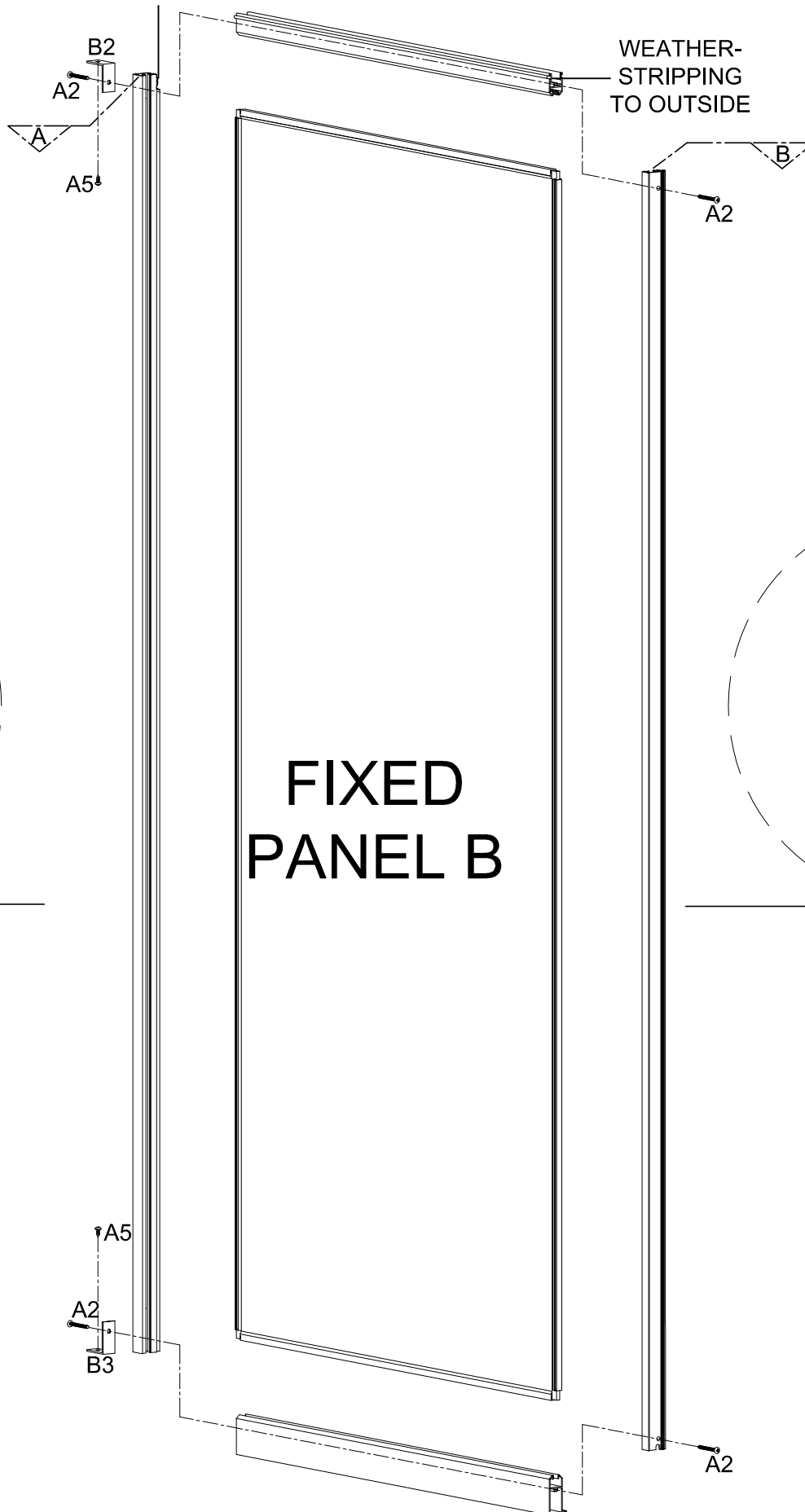
WEATHER-STRIPPING

INSTALL ADHESIVE FRICTION BRUSH



A

INSTALL ADHESIVE FRICTION BRUSH



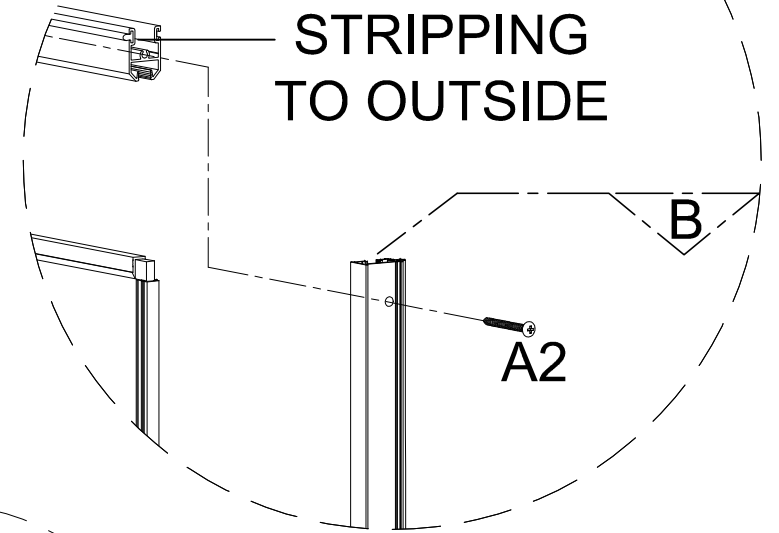
FIXED PANEL B

WEATHER-STRIPPING TO OUTSIDE

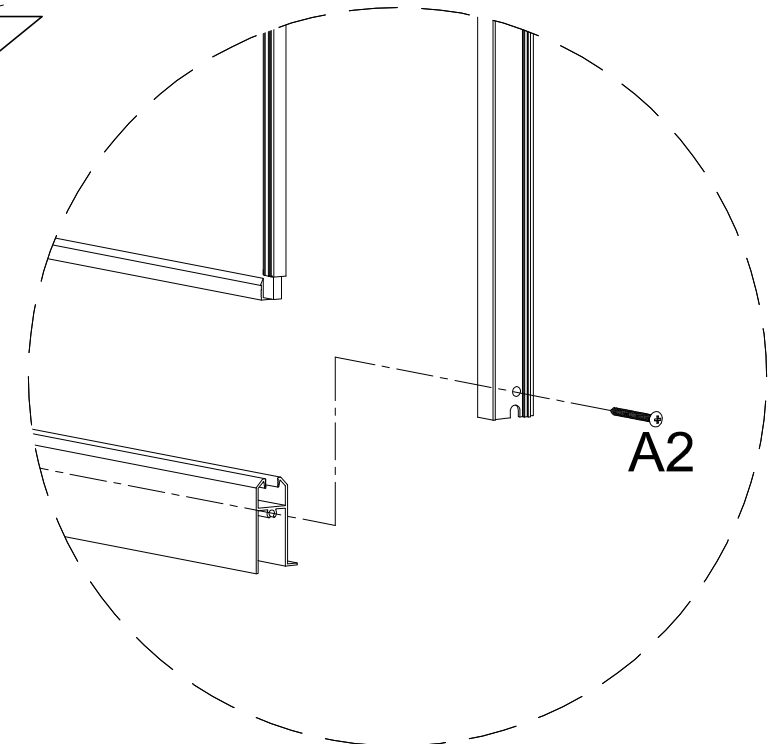
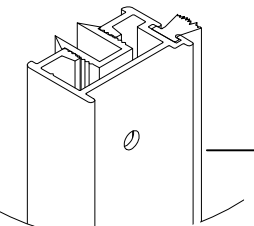
WEATHER-STRIPPING TO OUTSIDE

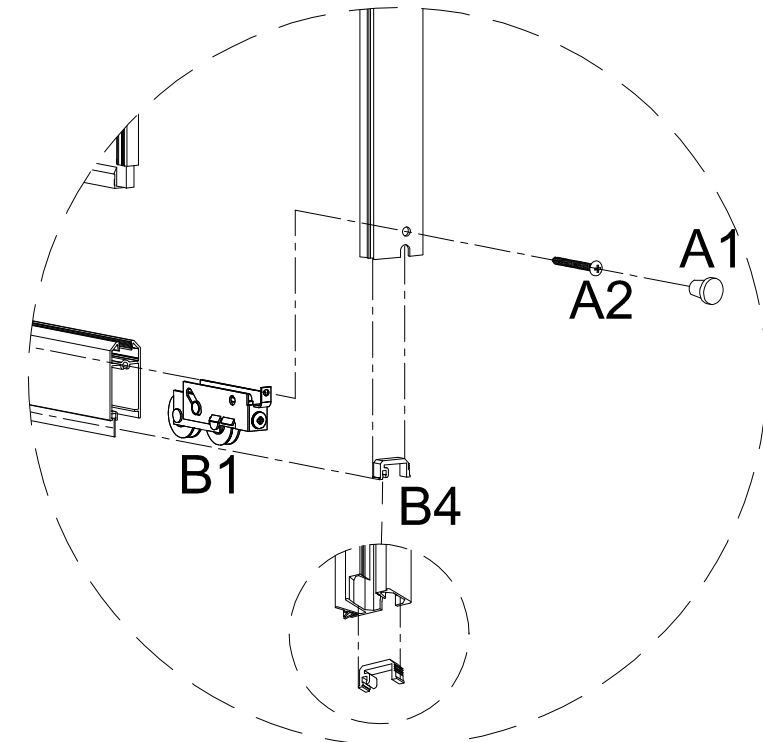
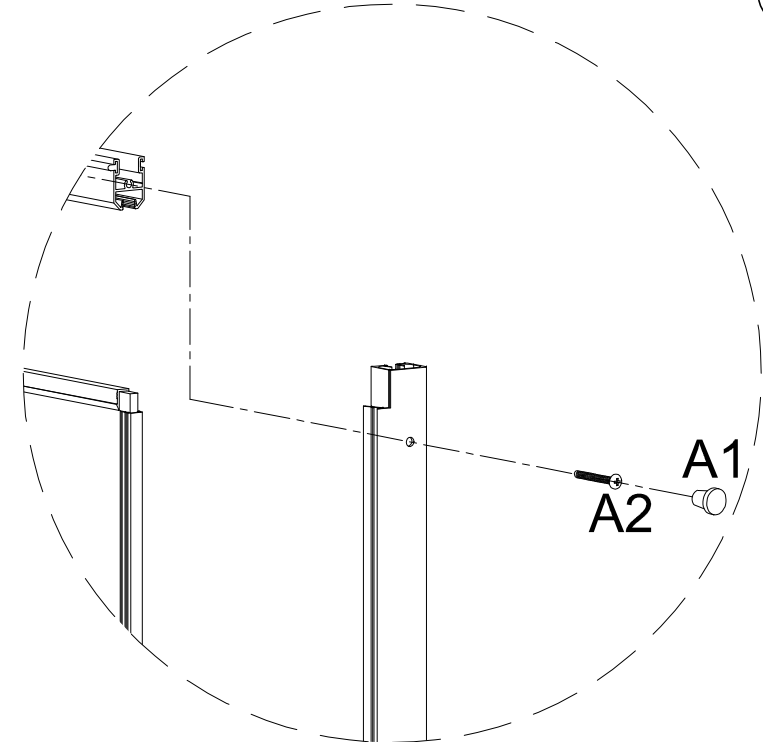
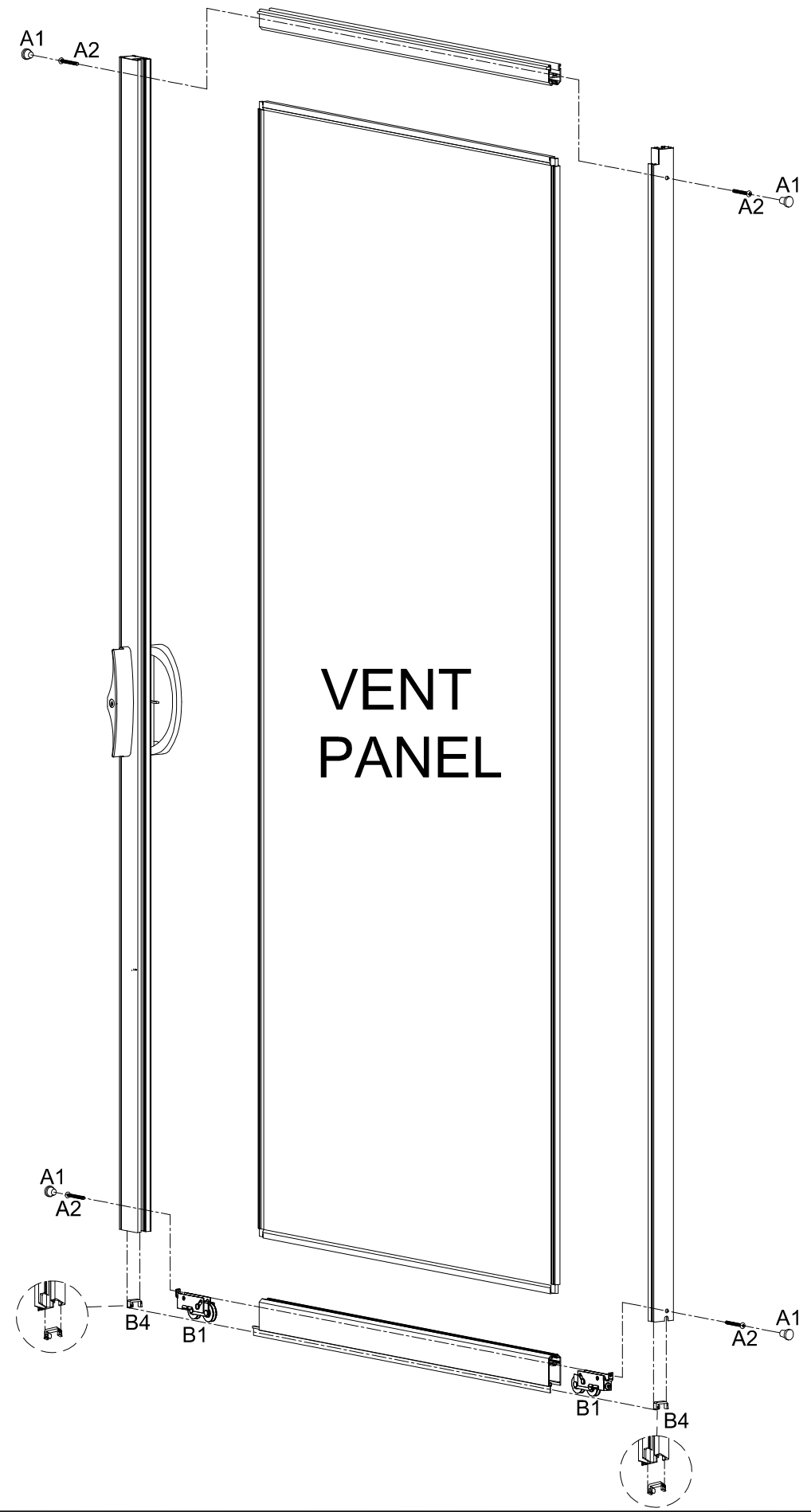
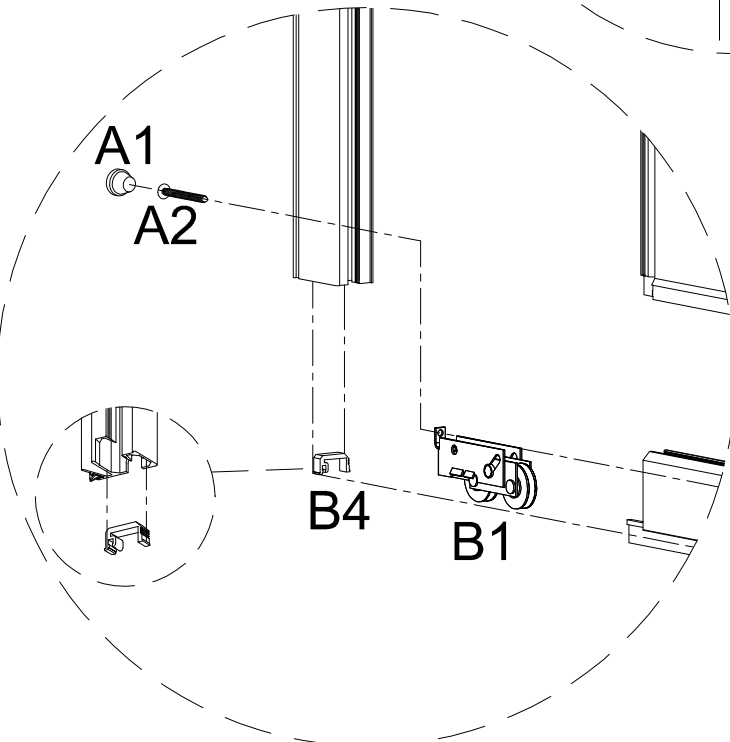
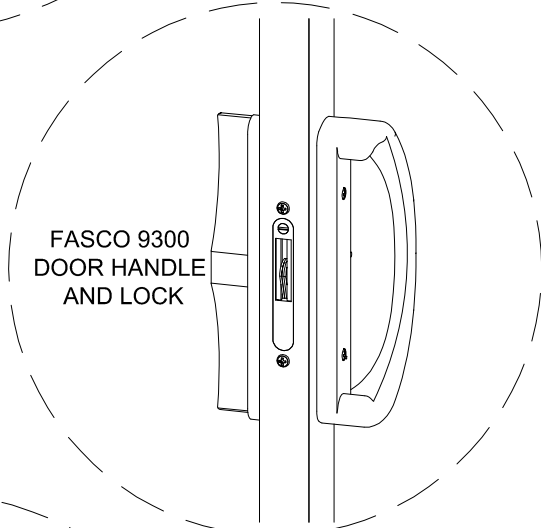
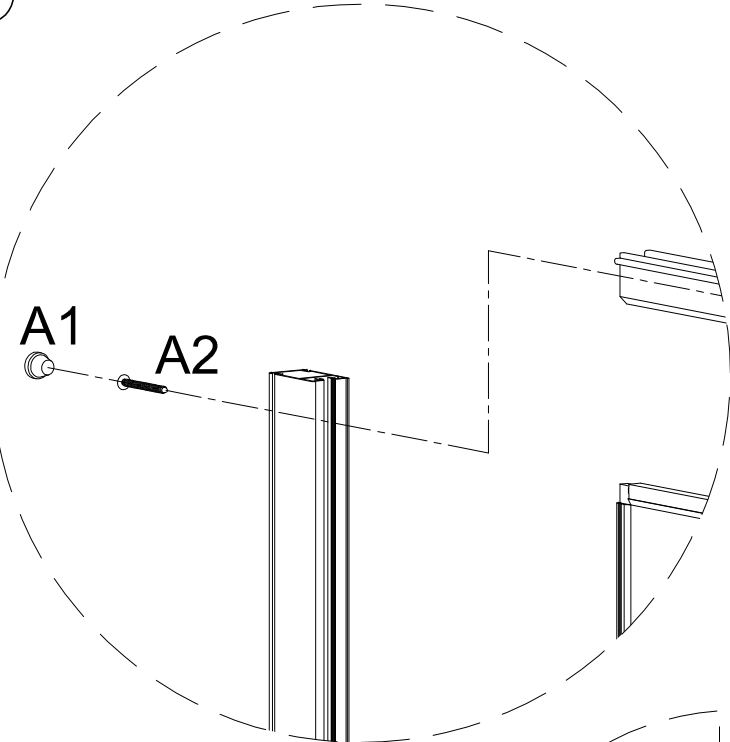
B

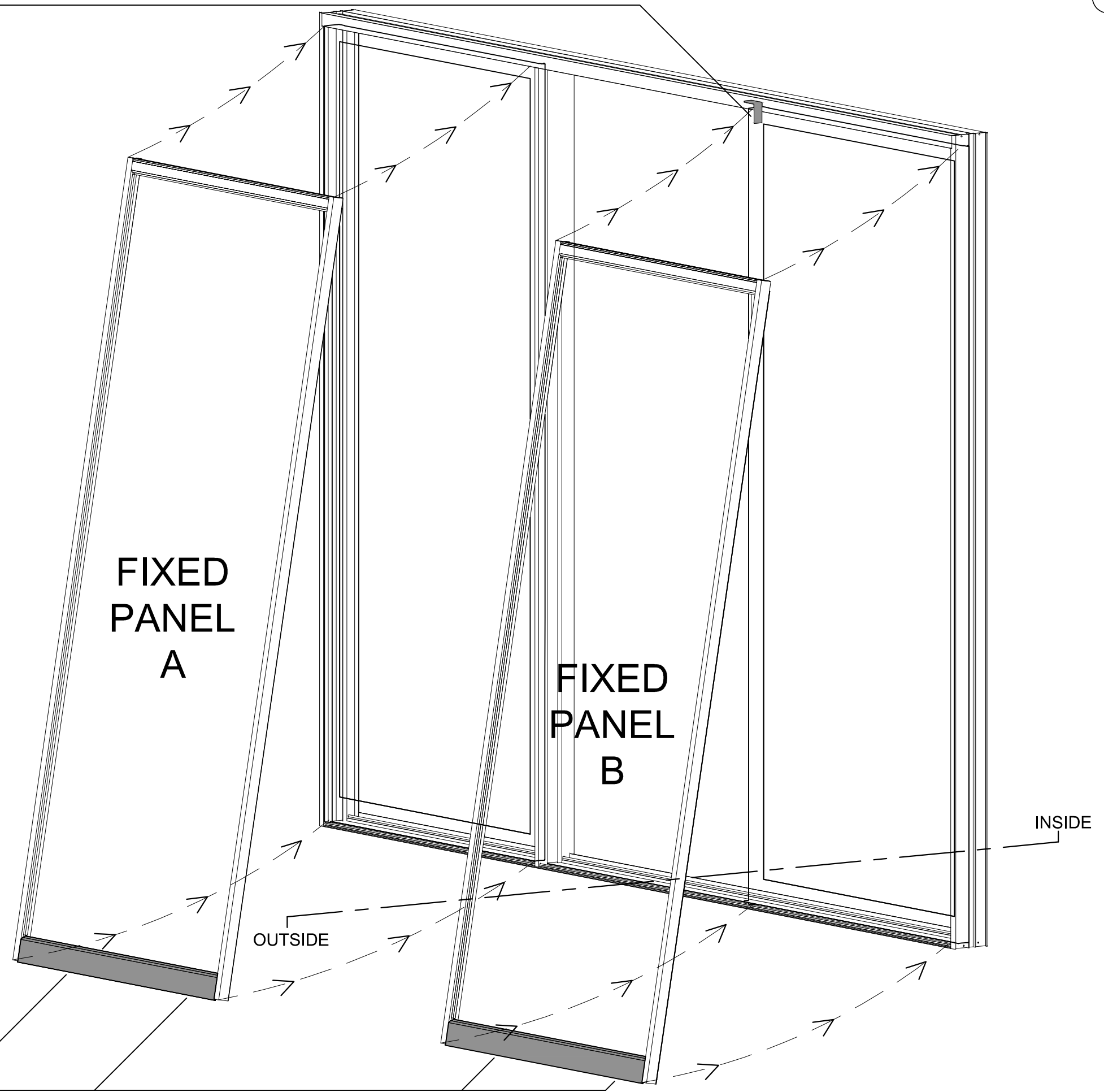
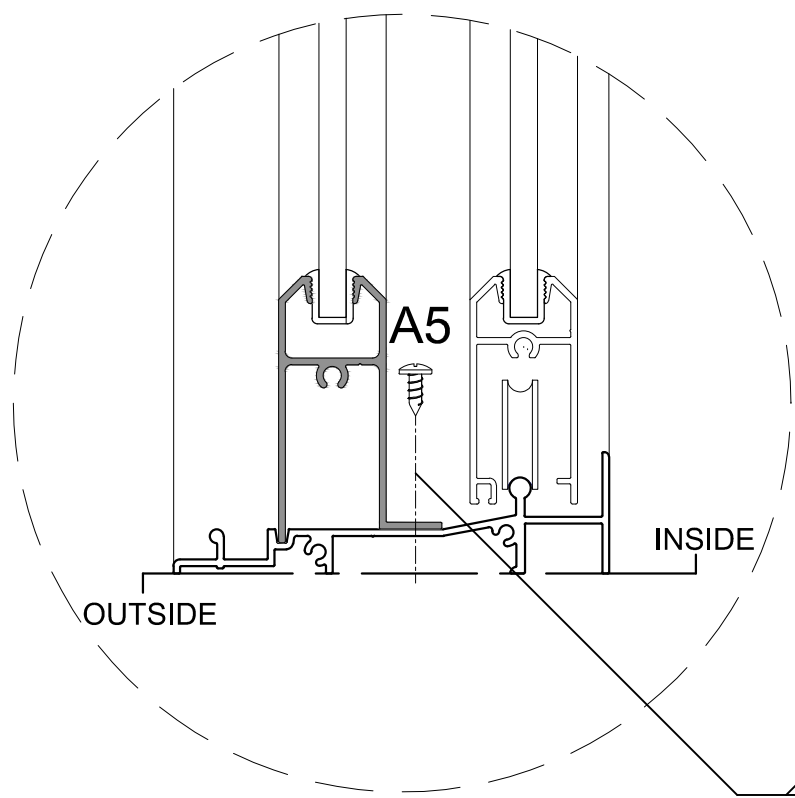
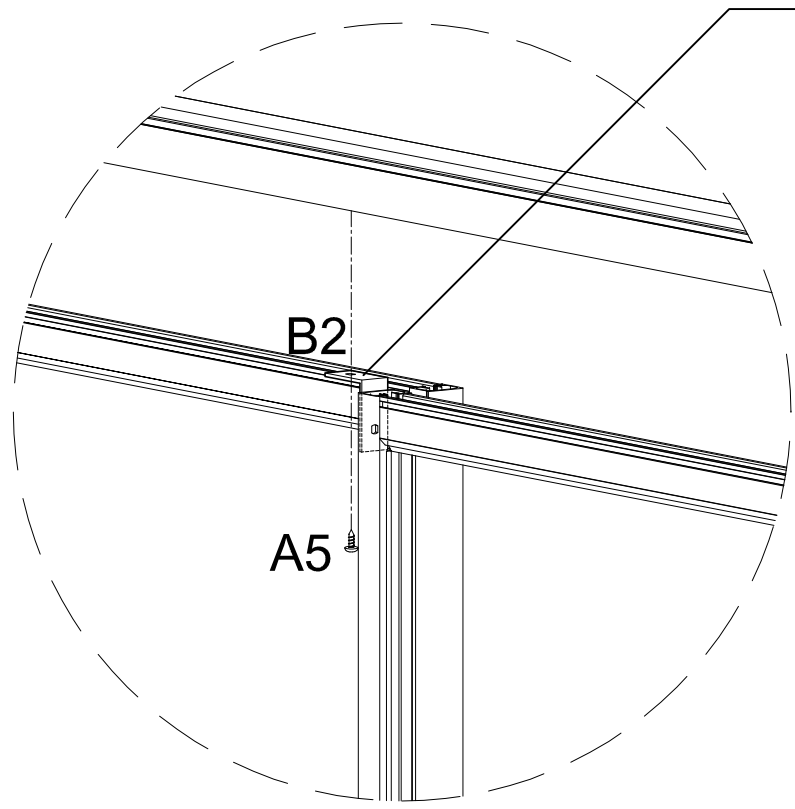
WEATHER-STRIPPING TO OUTSIDE

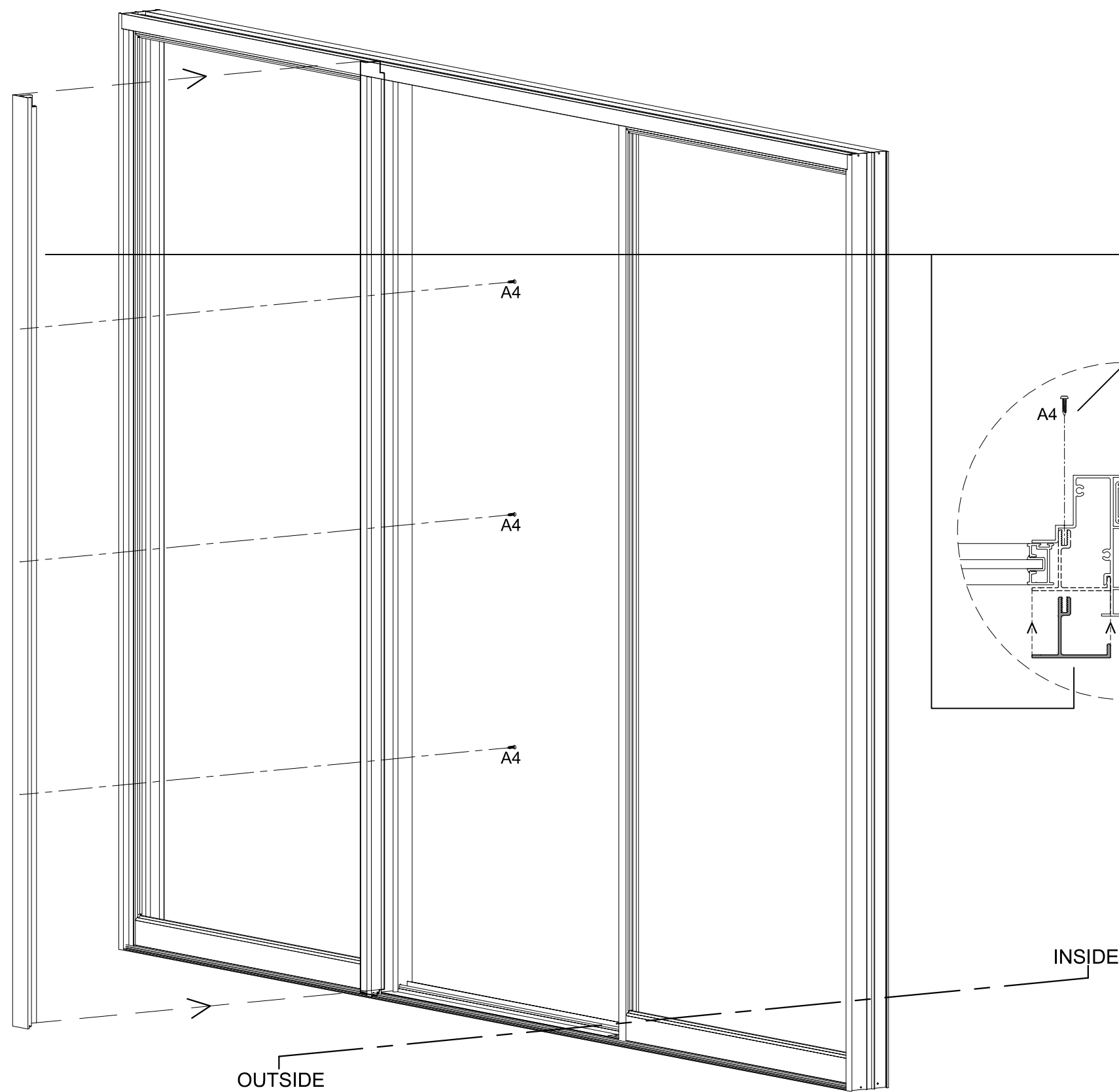


WEATHER-STRIPPING TO OUTSIDE









FALSE JAMB PART B
 SECURE FALSE JAMB PART B
 TO FALSE JAMB PART A WITH
 3X A4 SCREWS AS SHOWN
 ALONGSIDE

OUTSIDE

INSIDE

